

VISION3 LIGHTING

Surface Mount Powered Canopy **MODEL MO12** 120/230/277V, 75W Max., Transformer 120-277V, 350mA, 500mA, or 700mA, LED Driver

Specifications

Canopy Base

Canopy Base made from cast 356 aluminum or cast C84400 bronze. Bronze models available with as-cast or machined finish. Hole pattern allows for mounting to a 4" round or octagonal junction box or to the wall as a surface mount box (base mounting hardware not included).

Canopy Cover

Thick walled cast 356 aluminum or cast C84400 bronze canopy cover prevents deflection and 'sag' of mounted fixtures. Bronze models available with as-cast or machined finish. Canopy cover available with a non-threaded mount hole for versatility, or a threaded mount hole for strength (threaded mount hole option requires the use of a fixture with the 'Rotate and Lock Knuckle'). Canopy cover mounts to the canopy base with four 18-8 stainless steel captive screws, which are retained by the cover. Captive screws prevent loss of screws, and provides for safe and easy installation. Captive screw heads are sized the same as the knuckle adjustment screws on Vision3 Lighting flood fixtures, requiring only one tool for installation and adjustment. Alignment pins orient the canopy cover with the canopy base, simplifying installation by ensuring that the cover screws are always lined up properly.

Seals

O-ring groove on canopy cover allows for use of an O-ring to prevent leaking between canopy cover and fixture knuckle. (All Vision3 flood fixtures come with a high temperature, black Viton O-ring on the knuckle for this purpose). High temperature foam silicone gaskets prevent leaking between the canopy cover, canopy base, and mounting surface. (Canopy base gasket may not work properly if mounting surface is too rough).

Electrical

No transformer / driver option: no power supply included.

Transformer option: includes a 75VA, 11.6VAC output, electronic transformer in 120, 230, or 277VAC input.

LED driver option: includes a constant current (350mA, 500mA, or 700mA) LED driver with universal voltage input (120-277VAC) and three dimming options (0-10V, forward-phase, & reverse-phase). Drivers feature over-current, no-load, short-circuit and over-temperature protection.

Finish

TGIC thermo set polyester powder coat paint available in 14 standard colors. On aluminum model, finish is applied over a corrosion resistant, hexavalent chromium free,

RoHS compliant coating. Aluminum model available in one additional metal finish: Clear Anodized. Bronze model available in three additional metal finishes: Natural, Polished, and Aged (Cast finish bronze not available in Polished finish).

Certification

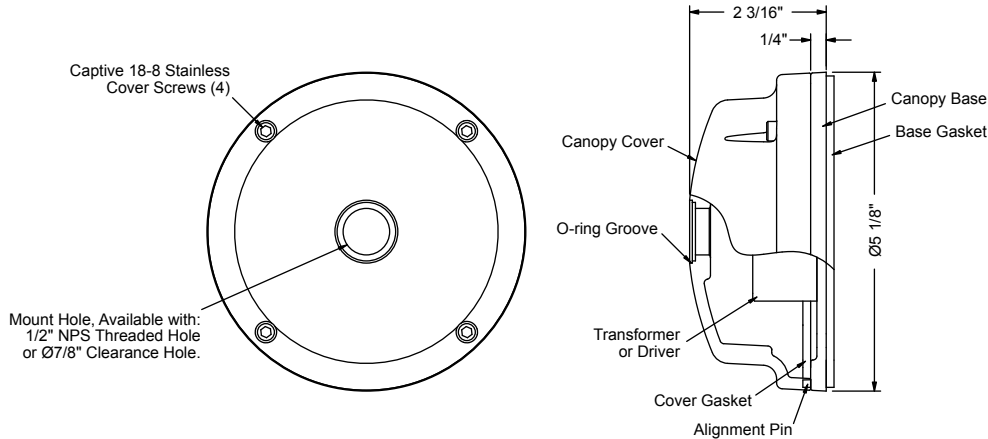
CSA tested & certified (all except 230V model) to US and Canadian safety standards for the following applications:

Wet location wall mount use (UL1598):

MO12(A, B, or C) no transformer/driver - 75W Max.
MO12(A, B, or C) with transformer - 50W Max.
MO12(A, B, or C) with LED driver - 700mA Max.

Wet location ceiling mount use (UL1598):

MO12(A, B, or C) no transformer/driver - 75W Max.
MO12A with transformer - 50W Max.
MO12(B or C) with transformer - 42W Max.
MO12(A, B, or C) with LED driver - 700mA Max.



Ordering Information

Model ^{1,2}	Finish	Mount Hole	Transformer / Driver
MO12A - Aluminum MO12B - Bronze (Machined Finish) MO12C - Bronze (Cast Finish)	Powder Coat Finishes: BL - Black BLT - Textured Black BN - Bronze BNT - Textured Bronze BAT - Textured Bark WI - White GRT - Textured Green SI - Silver GY - Grey BE - Beige GNT - Textured Granite SAT - Textured Sand PAT - Textured Patina EAT - Textured Earth Metal Finishes: CLA - Clear Anodized (MO12A only) NAT - Natural (MO12B & MO12C only) POL - Polished (MO12B only) AGE - Aged (MO12B & MO12C only)	S0 - Threaded Mount Hole S1 - Non-Threaded Mount Hole	None: 0 - No Transformer / Driver Transformer: 120 - 120V 230 - 277V ³ 277 - 277V ³ LED Driver⁴: 15-UNV-350-TRI - 15W max, 120-277V, 350mA 30-UNV-500-TRI - 30W max, 120-277V, 500mA 30-UNV-700-TRI - 30W max, 120-277V, 700mA

Notes:

- MO12 ratings vary, depending on model and application. See 'Certification' heading above.
- For a better looking installation, match the model to the fixture it is being used with. Use MO12A with cast or machined aluminum fixtures. Use MO12B with machined finish brass/bronze fixtures. Use MO12C with cast finish bronze fixtures.
- 230V and 277V input options may not be completely compatible with Vision3 lighting fixtures with an integral LED module. Contact V3 for transformer compatibility info if these options are being used with a V3 LED fixture.
- LED driver is for use with Vision3 COB LED fixtures (specified separately).
- Specifications, certifications, and ordering information are subject to change. Please check website for latest specification sheets.

Example: **MO12A - BNT - S0 - 30-UNV-350-TRI**